



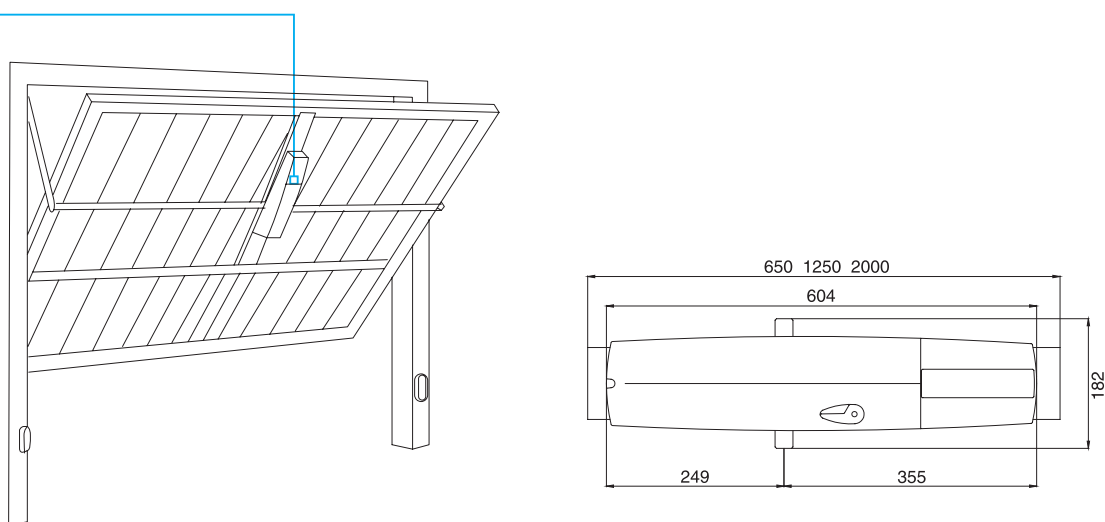
# PLUS

Setup Plus complete for automation of protruding and non-protruding up-and-over doors.

Code	Leaf	Motor	Description	Pcs. / Pallet
PL1	9 sq.m	230V AC	<b>Quick</b> irreversible gear motor. Model equipped with encoder and limit switch for opening and closing. Control unit RG1A fitted on board.	20
PL1L	11 sq.m	230V AC	<b>Slow</b> irreversible gear motor. Model equipped with encoder and limit switch for opening and closing. Control unit RG1A fitted on board.	20
PL2	9 sq.m	230V AC	<b>Quick</b> irreversible gear motor. Model equipped with encoder and limit switch for opening and closing.	20
PL2L	11 sq.m	230V AC	<b>Slow</b> irreversible gear motor. Model equipped with encoder and limit switch for opening and closing.	20

Irreversible electromechanical gear motor for up-and-over doors.

dimensions



For protruding and non-protruding up-and-over doors of up to 9 m<sup>2</sup> (up to 14 m<sup>2</sup> using 2 motors), and jointed doors.

## Technical specifications

	PL1	PL2	PL1L	PL2L
Max. door surface area (sq.m)	9	9	11	11
Motor power supply (V)	230V 50 Hz	230V 50 Hz	230V 50 Hz	230V 50 Hz
Power absorbed (W)	210	210	220	220
Torque (Nm)	350	350	350	350
Overheating protection (°C)	140	140	140	140
Operating T° (°C Min/Max)	- 20 + 70	- 20 + 70	- 20 + 70	- 20 + 70
Protection class (IP)	40	40	40	40
Speed (rpm)	1.7	1.7	1.1	1.1
Work intermittence (%)	30	30	30	30

# PLUS



## GE1A



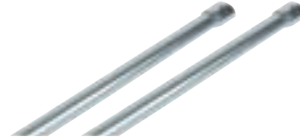
Control unit with removable radio

## PLA15



Transmission shaft, L=1500 mm, with welded, splined coupling, including bracket and screws (2 Pcs./Pack)

## PLA20



Transmission shaft, L= 2000 mm, with welded, splined coupling, including bracket and screws (2 Pcs./Pack)

## PLA03



Galvanised transmission shaft, L=200 mm, with welded, splined coupling, including bracket and screws (2 Pcs./Pack)

## PLA



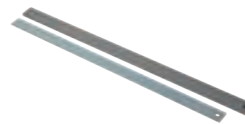
Kit of slide adjustable fixing brackets for PLA15 and PLA20 transmission shafts (2 Pcs./Pack)

## PLA01



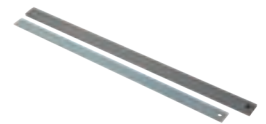
Mortise coupling for welding onto telescopic arm PLB1, PLB2 and PLB4

## PLB1



Kit for standard telescopic straight arm. Sheath, L=700 mm, boom, L=700 mm. "L"-shaped adjustable double fixing bracket.

## PLB2



Kit for standard telescopic straight arm. Sheath, L=1500 mm, boom, L=1500 mm. "L"-shaped adjustable double fixing bracket.

## PLB3



Kit for standard telescopic straight arm with welded, splined coupling. "L"-shaped adjustable double fixing bracket.

## PLB3F



Kit for standard telescopic straight arm with welded coupling for fixing directly onto transmission shaft. "L"-shaped adjustable double fixing bracket.

## PLB4



Kit for standard curved telescopic arm. "L"-shaped adjustable double fixing bracket.

## PLB4F



Kit for standard right and left curved telescopic arms with welded coupling for fixing directly onto transmission shaft. "L"-shaped adjustable double fixing bracket.

## PLS5



Gear motor support bracket L=530 mm

## PLS10



Gear motor support bracket L=1250 mm

## PLS20



Gear motor support bracket L=2000 mm

## PLSBA



Complete kit for external release device with rigid arm

## PLSBC



Complete kit for release device with removable ratchet lock

## ASECPL



Complete kit for external release device with metal wire

## TL



Sign plate