

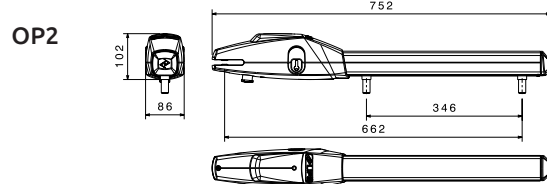
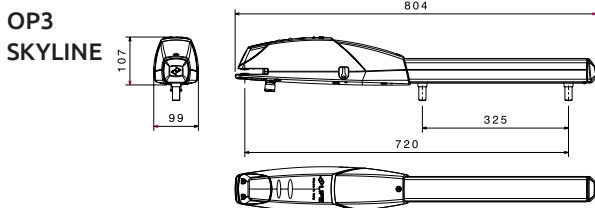
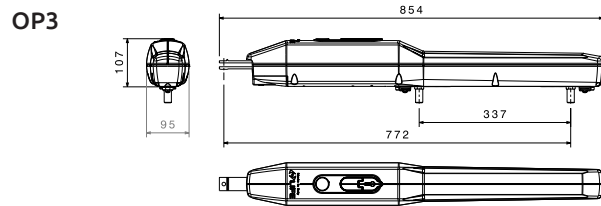
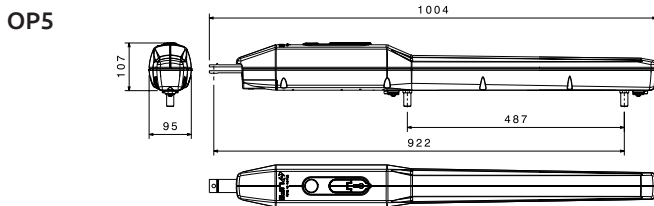
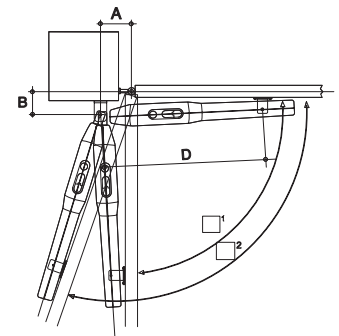
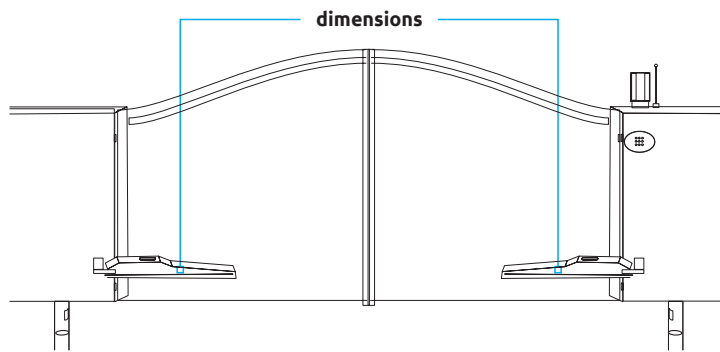


# OPTIMO

Irreversible electromechanical gear motor for swing gates.  
External fitting.

● = 24V DC

Code	Leaf	Motor	Description	Pcs. / Pallet
● <b>OP2 24 UNI</b>	2.50 m	24V DC Intensive Use	Model equipped with mechanical stop for opening and closing.	49
● <b>OP3 24 UNI</b>	3 m	24V DC Intensive Use	Model equipped with opening and closing limit switches housed in an aluminium enclosure. Pre-wired 1m connector cables.	49
<b>OP3</b>	3 m	230V AC	<b>Quick</b> model equipped with encoder opening and closing limit switches housed in an aluminium enclosure. Pre-wired 1m connector cables. Condenser supplied.	49
<b>OP3 UNI</b>	3 m	230V AC	<b>Quick</b> model equipped with mechanical stop for opening and closing. Pre-wired 1m connector cables. Condenser supplied.	49
<b>OP3 UNI L</b>	4 m	230V AC	<b>Slow</b> model equipped with mechanical stop for opening and closing. Pre-wired 1m connector cables. Condenser supplied.	49
● <b>OP5 24 UNI</b>	5 m	24V DC Intensive Use	Model equipped with opening and closing limit switches housed in an aluminium enclosure. Pre-wired 1m connector cables.	49
<b>OP5</b>	5 m	230V AC	<b>Quick</b> model equipped with encoder opening and closing limit switches housed in an aluminium enclosure. Pre-wired 1 m connector cables. Condenser supplied.	49
<b>OP5 UNI</b>	5 m	230V AC	<b>Quick</b> model equipped with mechanical stop for opening and closing. Pre-wired 1m connector cables. Condenser supplied.	49
<b>OP5 UNI L</b>	6 m	230V AC	<b>Slow</b> model equipped with mechanical stop for opening and closing. Pre-wired 1m connector cables. Condenser supplied.	49
<b>OP3 SKYLINE UNI</b>	3 m	230V AC	Model equipped with mechanical stop for opening and closing. Condenser supplied.	49



$\Omega$	OP2 24 UNI			OP SL* UNI			OP3 - OP3L - OP3 UNI OP3L UNI - OP3 24 - OP3 24 UNI			OP5 - OP5L - OP5 UNI OP5L UNI - OP5 24 - OP5 24 UNI		
	A max mm	B max mm	D max mm	A max mm	B max mm	D max mm	A max mm	B max mm	D max mm	A max mm	B max mm	D max mm
$\Omega 1=90^\circ$	160	160	640	160	160	720	140	140	755	210	210	905
$\Omega 1=120^\circ$	130	120	640	145	120	720	140	100	755	210	120	905

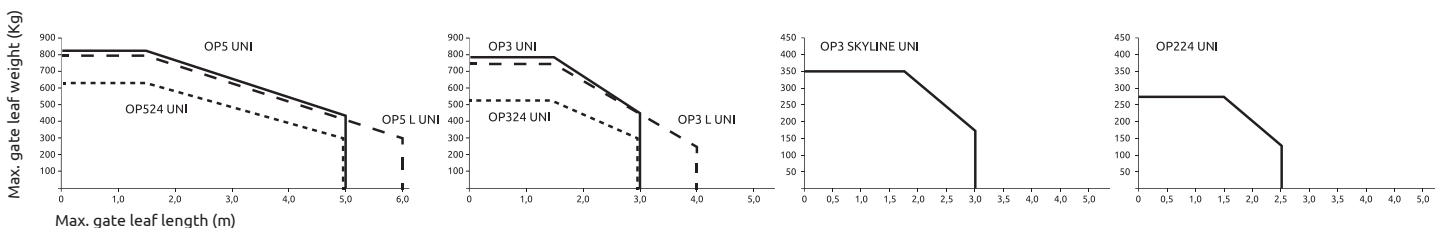
# OPTIMO

## Technical specifications

● = 24V DC

	OP3 SKYLINE UNI (230V 50Hz)	OP3 UNI (230V 50Hz)	OP3 L UNI (230V 50Hz)	OP5 UNI (230V 50Hz)	OP5 L UNI (230V 50Hz)	OP2 24 UNI (24V)	OP3 24 UNI (24V)	OP5 24 UNI (24V)
Max. gate leaf length (m) - see drawing	3	3	4	5	6	2.50	3	5
Motor power supply (V)	230V AC	230V AC	230V AC	230V AC	230V AC	24V DC	24V DC	24V DC
Power (W)	160	210	220	210	220	60	80	80
Thrust (N)	1800	2000	2000	2000	2000	1500	1800	1800
Rod stroke (mm)	325	337	337	487	487	346	337	487
Operating T° (°C Min/Max)	- 20 + 70	- 20 + 70	- 20 + 70	- 20 + 70	- 20 + 70	- 20 + 70	- 20 + 70	- 20 + 70
Protection class (IP)	54	54	54	54	54	54	54	54
Work intermittence (%)	35	35	30	35	30	80	80	80
Time to cover 90° (s)	19	19	30	28	45	15	19	28

### Limit on use OPTIMO



**NB.** In windy areas or when the gate has a particular structural shape, we advise reducing the limits on use and installing an electric lock. For gate leaves of over 3m and OP2 motors with gate leaves of over 2 m, the use of an electric lock is compulsory.

#### AOP1



Rear modular, adjustable bracket  
(2 Kits/Pack)

#### AOP2



Front modular, adjustable  
bracket (2 Kits/Pack)

#### AELVE



Vertical electric lock (1 Pc./Pack)  
See N.B.

#### AELOR



Horizontal electric lock  
(1 Pc./Pack)  
See N.B.

#### AGECH2 x GEUNI24R DL2



Supplementary circuit for  
charging battery on control units  
(1 Pc./Pack)

#### AGE 12



Battery 12V - 2.3 Ah  
(2 Pcs./Pack)

#### TL



Sign plate

- Page 116