



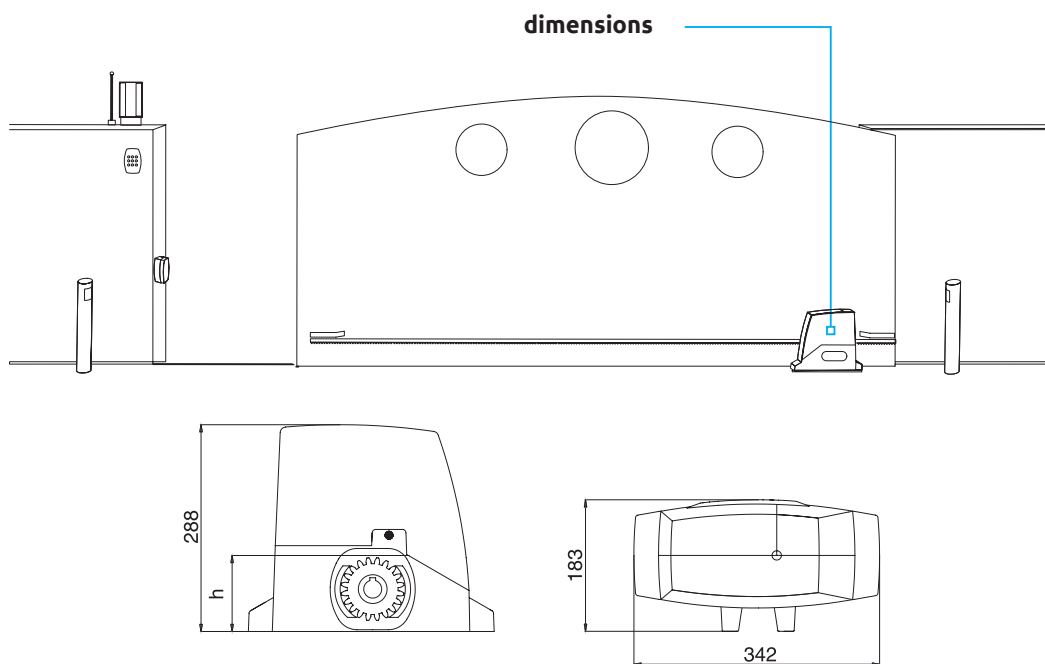
# ACER

Irreversible electromechanical gear motor for sliding gates.  
External fitting.

● = 24V DC

Code	Leaf	Motor	Description	Pcs. / Pallet
● AC3RM 24DL	300 Kg	24V DC	Model equipped with encoder, magnetic limit switch and control unit (RG1R 24 DL).	36
● AC6RM 24DL	600 Kg	24V DC	Model equipped with encoder, magnetic limit switch and control unit (RG1R 24 DL).	36
AC4R DL	400 Kg	230V AC	Model equipped with encoder, electromechanical limit switches and control unit (RG1R DL). Electronic regulation of the motor torque.	36
AC4RM DL	400 Kg	230V AC	Model equipped with encoder, magnetic limit switch and control unit (RG1R DL). Electronic regulation of the motor torque.	36
AC6R DL	600 Kg	230V AC	Model equipped with encoder, electromechanical limit switches and control unit (RG1 R DL). Electronic regulation of the motor torque.	36
AC6RM DL	600 Kg	230V AC	Model equipped with encoder, magnetic limit switch and control unit (RG1R DL). Electronic regulation of the motor torque.	36
AC6M	600 Kg	230V AC	Model equipped with encoder, magnetic limit switch and control unit (RG1A). Electric regulation of the motor torque. With removable radio.	36
AC8R DL	800 Kg	230V AC	Model equipped with encoder, electromechanical limit switches and control unit (RG1R DL). Metal gears, lubrication with oil.	36
AC8RM DL	800 Kg	230V AC	Model equipped with encoder, magnetic limit switch and control unit (RG1R DL). Metal gears, lubrication with oil.	36
AC12R DL	1200 Kg	230V AC	Model equipped with encoder, electromechanical limit switches and control unit (RG1R DL). Metal gears, lubrication with oil.	36
AC12R M DL	1200 Kg	230V AC	Model equipped with encoder, magnetic limit switch and control unit (RG1R DL). Metal gears, lubrication with oil.	36

Irreversible electromechanical gear motor for sliding gates. External fitting.





● = 24V DC

	AC4R DL (230V 50Hz)	AC6R DL (230V 50Hz)	AC8R DL (230V 50Hz)	AC12R DL (230V 50Hz)	AC3RM 24DL (24V)	AC6RM 24DL (24V)	
Max. gate leaf weight (Kg)	400	600	800	1200	300	600	
Motor power supply (V)	230V AC	230V AC	230V AC	230V AC	24V DC	24V DC	
Power absorbed (W)	250	280	300	350	150	150	
Thrust (N)	500	700	900	1200	300	500	
Lubrication (Type)	Grease	Grease	Oil	Oil	Grease	Grease	
Overheating protection (°C)	140	140	140	140	-	-	
Operating temperature (°C Min/Max)	- 20 +70	- 20 +70	- 20 +70	- 20 +70	- 20 +70	- 20 +70	
Protection class (IP)	Mechanical	44	44	44	44	-	-
	Magnetic	55	55	55	55	55	55
Speed (m/min)	10	8	8	8	11	11	
Work intermittence (%)	35	35	35	35	80	80	
Pinion height - h (mm)	99	95	95	95	95	95	

### AAC0



M4 Rack in Nylon without a steel core, with 6 attachment points. (1 Metre/Pack)

### AAC1



M4 Rack in Nylon with a 10x10 steel core, with 6 attachment points, complete with screws. (10 Metres/Pack)

### AAC3



M4 Rack, 30x12x1000 galvanised and notched, complete with screws and spacers (4 Metres/Pack or multiple packs)

### AGECH



Supplementary circuit for charging battery on control units (1 Pc./Pack)

### AGE12 Small



Battery 12V - 2.10 Ah (2 Pcs./Pack)

### TL

- Page 116



Sign plate